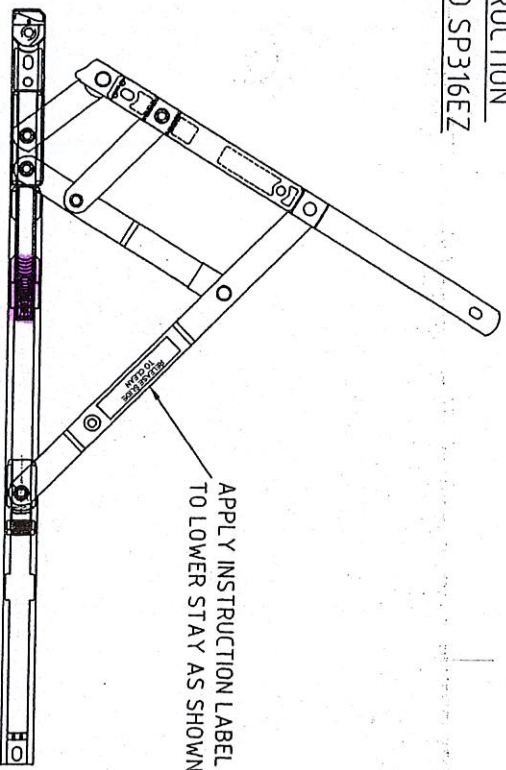
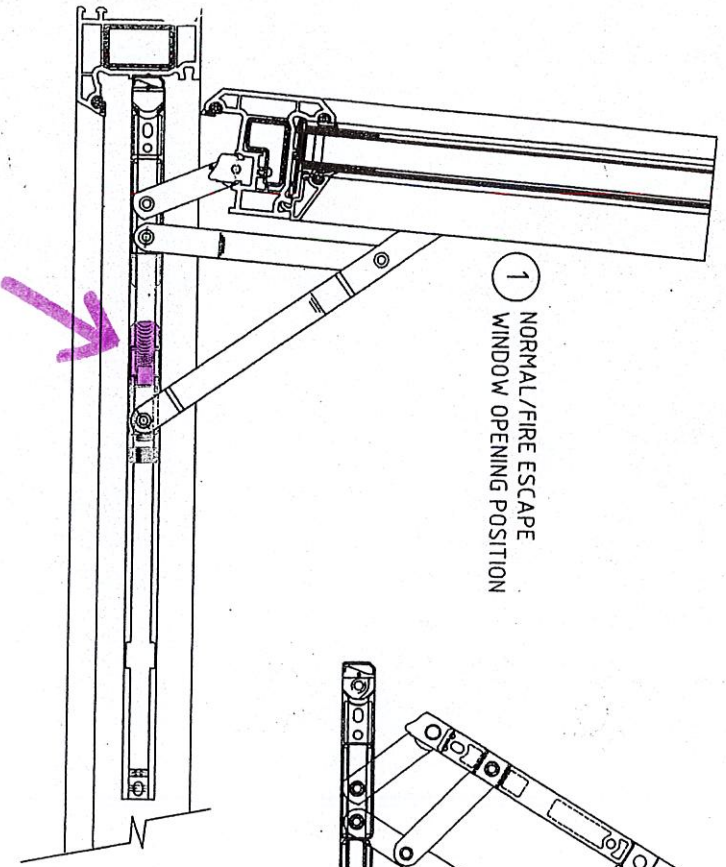




# Cotswold

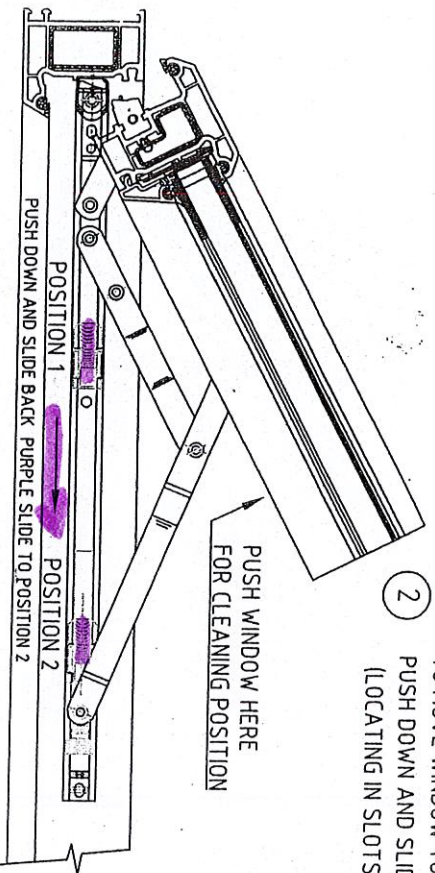
## OPERATION INSTRUCTION FOR SP312EZ AND SP316EZ

1 NORMAL/FIRE ESCAPE  
WINDOW OPENING POSITION



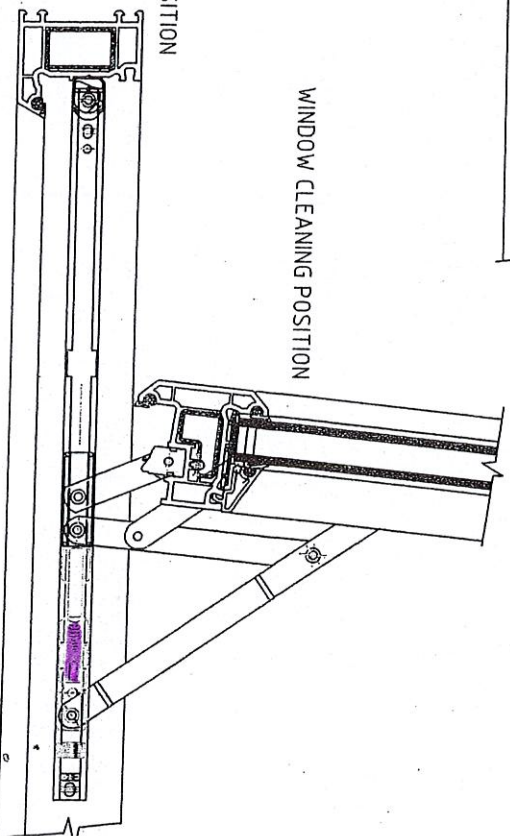
*Top  
and  
bottom  
hinge.*

TO MOVE WINDOW TO THE CLEANING POSITION PARTIALLY CLOSE  
PUSH DOWN AND SLIDE BACK PURPLE SLIDE TO POSITION 2  
(LOCATING IN SLOTS) AND OPEN AS SHOWN



WINDOW CLEANING POSITION

3 FULLY CLOSING AND THEN FULLY OPENING THE  
WINDOW WILL RE-SET IT TO NORMAL/FIRE ESCAPE POSITION



IT IS THE RESPONSIBILITY OF THE WINDOW MANUFACTURER TO ENSURE THAT THE  
FINISHED WINDOWS MEET ANY REQUIRED SAFETY AND PERFORMANCE SPECIFICATIONS

Drawing No. 80001365.DWG  
DATE: 02/01/04